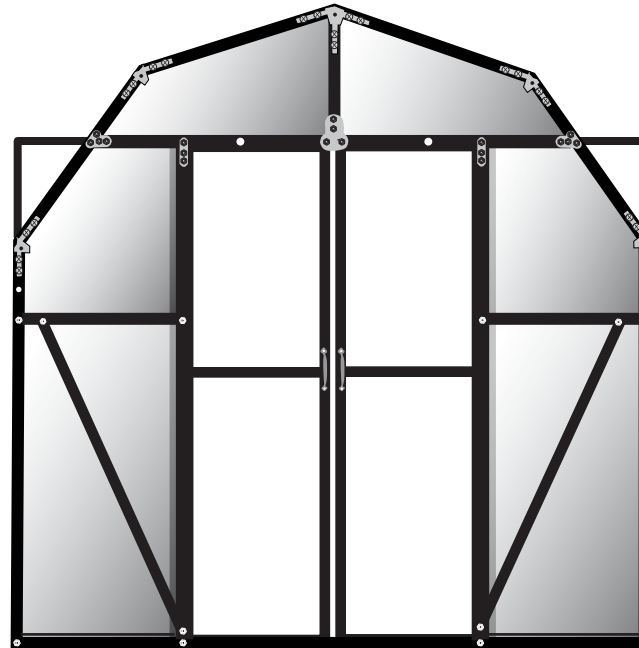




# GRANDIO®

G R E E N H O U S E S

GRANDIO ELITE BACK WALL TRANSFORMATION KIT



Inside View

## GRA-ELI-BD

# BACK WALL TRANSFORMATION USER MANUAL

© 2013 Grandio Greenhouses, Backyard Living Source Inc. All rights reserved  
April 15, 2016 Manual Edition Back Wall Transformation Kit



Dear Valued Customer,  
We would like to congratulate you on your new Grandio Greenhouse purchase. We are confident that you have made the right decision in choosing Grandio. Our greenhouses are made with high quality aluminium and polycarbonate and will last for many garden seasons to come.

Please take the time to carefully read this instruction manual for an easier and more enjoyable assembly experience.

Cheers!  
Grandio Greenhouses

Save this owner's manual for future reference and if you need our help.

**CONTACT OUR CUSTOMER SERVICE DEPARTMENT at:  
1-866-448-8231**

Hours: 8:30a.m.-5:00p.m. Monday through Friday (Mountain Standard Time)

**Backyard Living Source  
9543 W. Emerald St., Suite 101  
Boise, ID 83704  
www.grandiogreenhouses.com**



## **IMPORTANT! READ BEFORE BEGINNING ASSEMBLY**

**THIS BACK DOOR TRANSFORMATION MANUAL IS FOR CURRENT GREENHOUSE OWNERS THAT ARE SWITCHING OUT THEIR BACK WALLS ONLY.**

**SEE OPTIONS BELOW FOR FURTHER EXPLANATION.**



## **OPTION 1 - 1<sup>ST</sup> TIME BUILDING GREENHOUSE KIT**

You will discard this manual and use only the manual that came with your greenhouse kit. Your manual included in your greenhouse kit will tell you how to build the back wall with a door.



## **OPTION 2 - SWITCHING OUT EXISTING BACK WALL**

You will use this manual to easily remove the back wall you currently have on your greenhouse and modify it with this kit to create a new back door.

- Follow the step by step instructions.
- Only perform this switch out on a wind free or calm day.
- Inventory all parts with the parts list on page 26.
- You must have at least 2 people for assembly.



## IMPORTANT! SAFETY INSTRUCTIONS



### FAILURE TO FOLLOW THESE WARNINGS MAY RESULT IN SERIOUS INJURY OR PROPERTY DAMAGE AND WILL VOID WARRANTY.

To ensure safety, do not attempt to assemble this product without following the instructions carefully. Check entire box and inside all packing material for parts and/or additional instruction materials. **Before beginning assembly, read the instructions and identify all parts using the hardware identifier and parts list on page 26. Complete assembly and proper usage are essential to reduce the risk of accident or injury when using your Grandio Greenhouse.**

**CAUTION: Do not leave polycarbonate panels laying on grass or leave in the sun or extreme heat, keep in a cool dry place until they are to be installed!!** (May cause burning to plants or grass if left directly on top of them, also may damage panels due to the protective film adhering to panels.) Panels may scratch easily. **Do Not** use solvent cleaners.

- Each of the polycarbonate panels have a clear film side that should always face the sun, and a white film side which faces inside. The clear side has a UV coating and we recommend marking a small "x" on a corner of each panel to determine which side has the UV Coating as you cannot visually determine with your eye in the case of future disassembly.
- Due to shipping, the grooves of some of the aluminum profiles may be too small to insert into the polycarbonate sheet, you may carefully use a screwdriver to pry the framework open so the polycarbonate sheet can be inserted smoothly.
- Do not use or store hot objects such as grills, blow torches, welding equipment, etc. in or near your greenhouse.
- Do not allow children or pets to play in greenhouse or in the set up area until assembly is complete.
- If using a ladder during assembly, use extreme caution.
- A clean level surface is essential to maintaining the solid integrity of the structure, Install the base correctly as described in manual. Please anchor the greenhouse down to a firm and level base.

#### NEEDED FOR ASSEMBLY

- |                            |                           |                                |
|----------------------------|---------------------------|--------------------------------|
| • <b>Tape Measure</b>      | • <b>1 Step Ladder</b>    | • <b>Safety Glasses</b>        |
| • <b>Level</b>             | • <b>Work Gloves</b>      | • <b>Drill</b>                 |
| • <b>Carpenter Square</b>  | • <b>Permanent Marker</b> | • <b>Knee Pads</b>             |
| • <b>At Least 2 Adults</b> | • <b>Masking Tape</b>     | • <b>Folding Utility Table</b> |



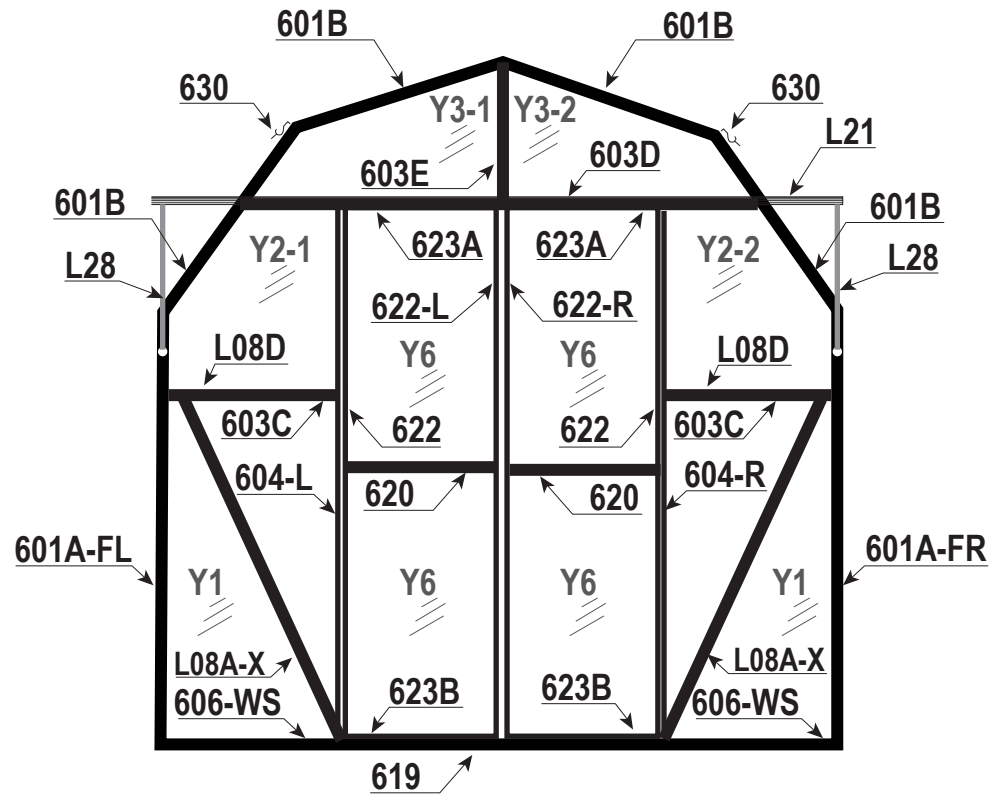
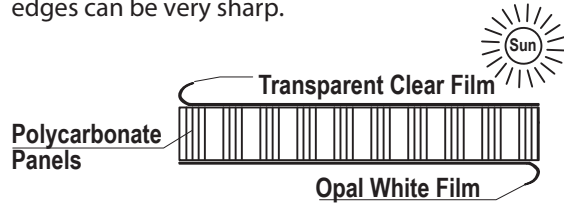
When you see this icon pay special attention to the helpful tips we have provided that will make installation more efficient.

# GRANDIO GREENHOUSE BACK DOOR KIT DIAGRAM

DIAGRAM SHOWS THE ASSEMBLED  
BACK WALL TRANSFORMATION OF THE  
GRANDIO ELITE GREENHOUSE.

## ⚠ IMPORTANT: POLYCARBONATE PANELS ⚠

The UV-Protected side is covered with clear film and must face toward the sun. The side covered in white film will always face the interior of the greenhouse. We suggest you peel all film off completely prior to assembly and use a permanent marker to place a small "X" on the lower right corner of each panel on the clear side that faces the sun, each panel has a sticker labeling the panel number and this side always faces the sun or outward as well. **DO NOT REMOVE LABELS UNTIL YOU INSTALL PANELS.** The "X" is suggested in case you dis-assemble your greenhouse in the future so you may identify which side has the UV coating. Always use gloves when handling the polycarbonate panels as the edges can be very sharp.



**BACK**

Outside View



**GRANDIO**<sup>®</sup>  
GREENHOUSES

## **ASSEMBLY INSTRUCTION STEPS**

### **PREPARE FOR ASSEMBLY**

### **STEP ONE: DETACHING BACK WALL**

### **STEP TWO: BACK WALL DOOR ASSEMBLY**

### **STEP THREE: REATTACH BACK WALL**

### **STEP FOUR: DOOR ASSEMBLY**

### **STEP FIVE: PARTS LIST**

|  |       |
|--|-------|
| Introduction & Prepare For Assembly..... | 1     |
| Safety Instructions.....                 | 2     |
| Diagram of Assembled Back Door.....      | 3     |
| Detaching Back Wall.....                 | 5-8   |
| Back Door Assembly.....                  | 9-14  |
| Attaching Back Door Wall.....            | 15-18 |
| End Cap Installation.....                | 19    |
| Door Assembly.....                       | 20-25 |
| GRA-ELI-BD Parts List.....               | 26    |
| Warranty.....                            | 27    |

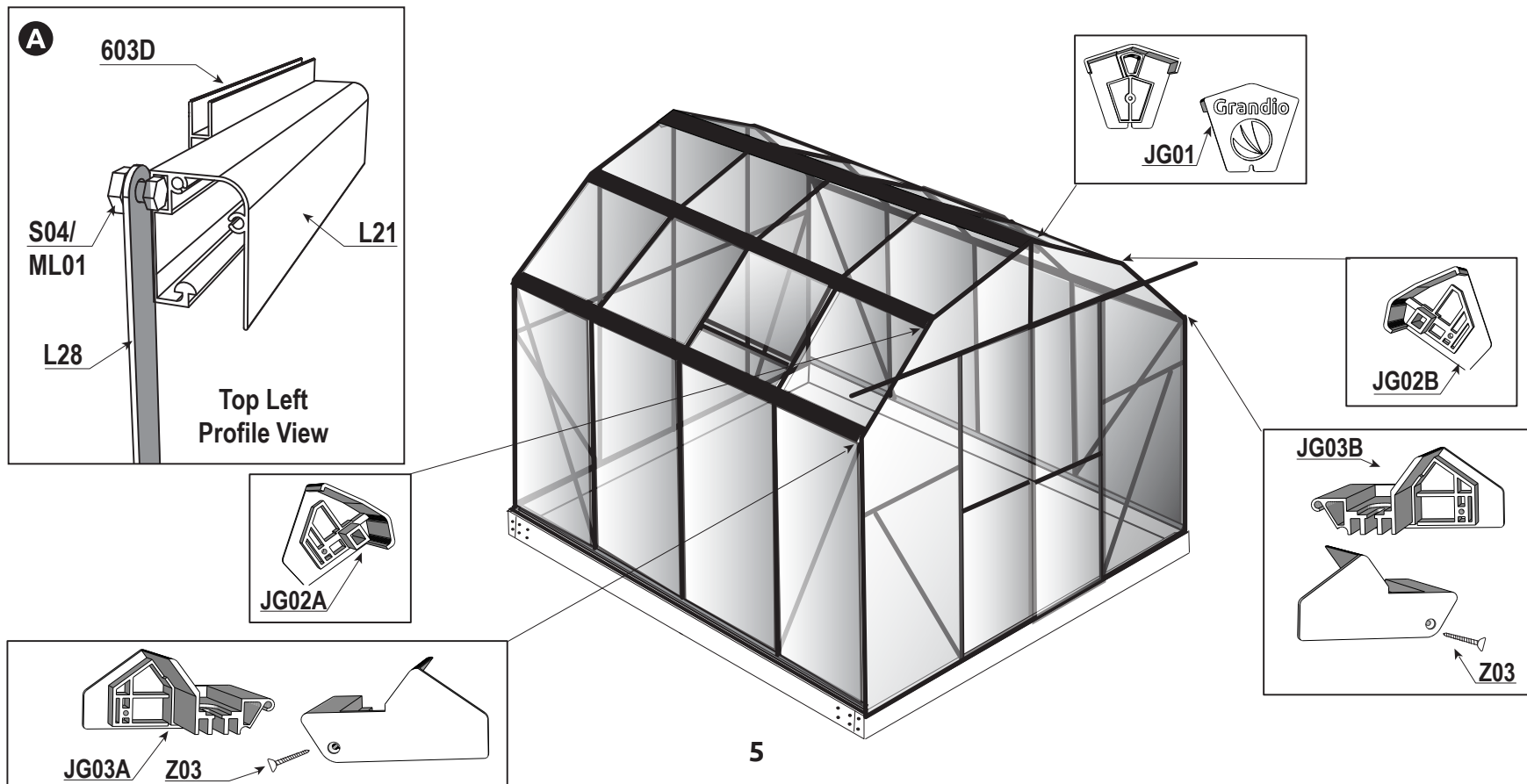
**Warning:** Follow the directions for detaching back wall as shown here.

**\*\* This section will require a minimum of 2 people.**

## DETACHING BACK WALL INSTRUCTIONS

**1.1** Detach all **JG01, JG02A, JG02B, JG03A** and **JG03B** end caps from the ridge, mid roof and gutters on both front and back of your greenhouse as shown below. Set aside all end caps and hardware in a safe place for reinstallation later.

**1.2** Detach the **L28** from only the top **L21** as shown, let it fall to the side out of the way of the endcaps on the side with the doors. See **A**.

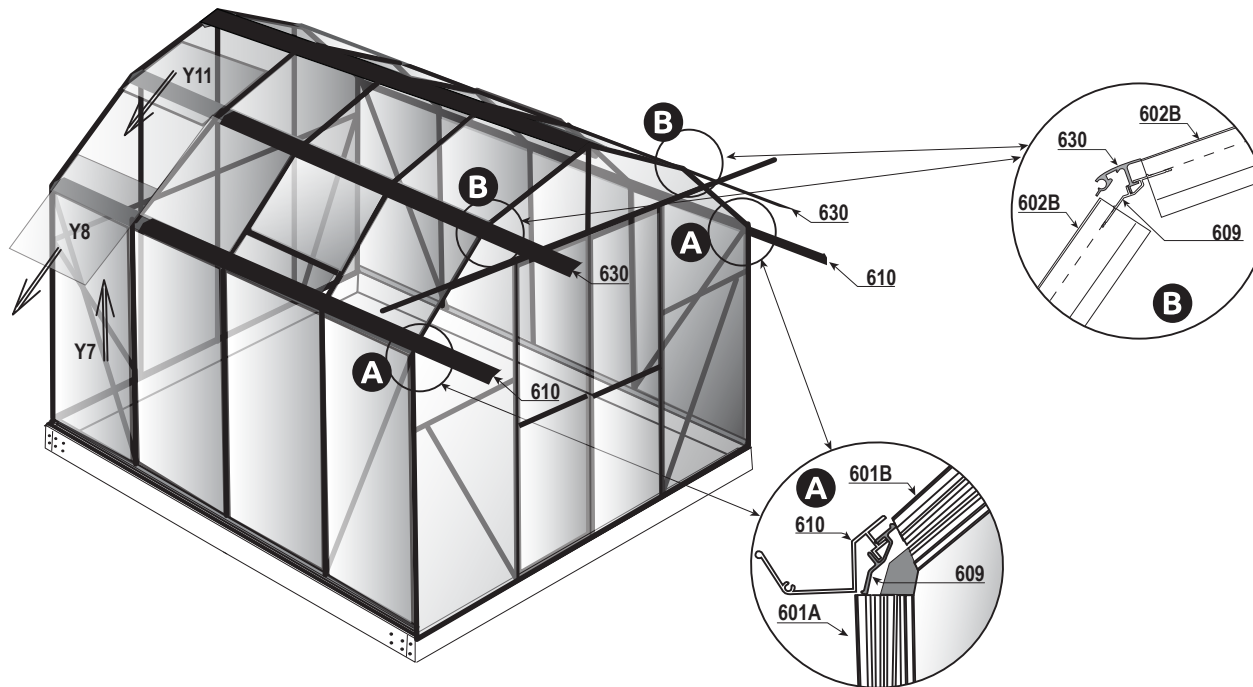


# DETACHING BACK WALL INSTRUCTIONS

YOU WILL NEED AT LEAST 2 PEOPLE TO REMOVE THE BACK WALL FOR SWITCH OUT

**1.3** Slide **610** gutter piece out one panel section only, of **609's** groove as shown in diagram **A**. Remove **Y8** panel and **Y7** panel. Repeat on other side.

**1.4** Slide **630** out one panel section only of upper mid roof section to allow for removal of the **Y11** panel see **B**. Repeat on other side of greenhouse.



STEP ONE

# DETACHING BACK WALL INSTRUCTIONS

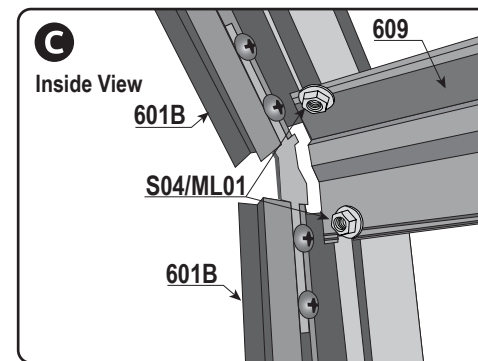
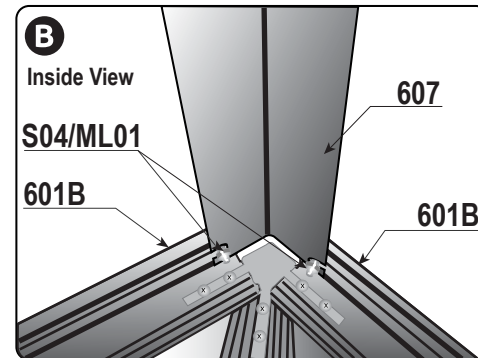
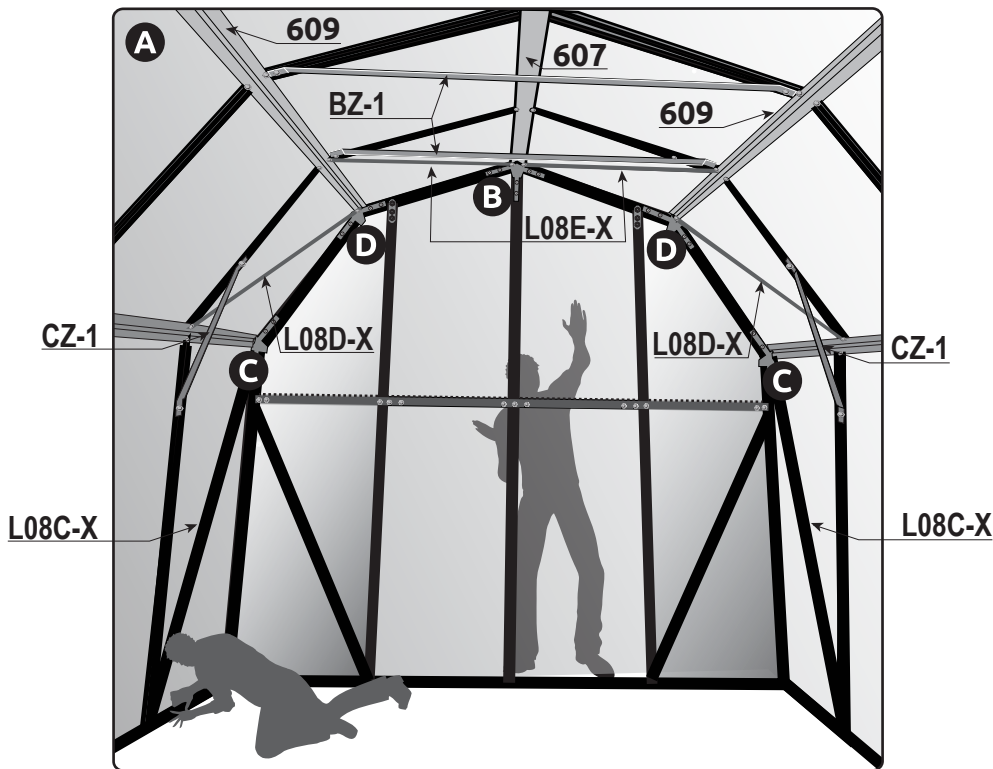
YOU WILL NEED AT LEAST 2 PEOPLE TO REMOVE THE BACK WALL FOR SWITCH OUT

**1.5** Loosen and remove the (2) of each **L08E-X**, **L08D-X** and the **L08C-X** off the back wall as shown in **(A)**.

**1.6** Be sure one person is on the outside of the greenhouse holding and supporting the back wall as the person inside detaches all back wall hardware.

**1.7** Loosen the **S04/ML01** screws that attach the **607** Roof Ridge to the back wall see **(B)**. Loosen the **S04/ML01** that hold the **609** Eave and Mid Roof Support to the back wall as shown in **(C)** and **(D)**.

STEP ONE



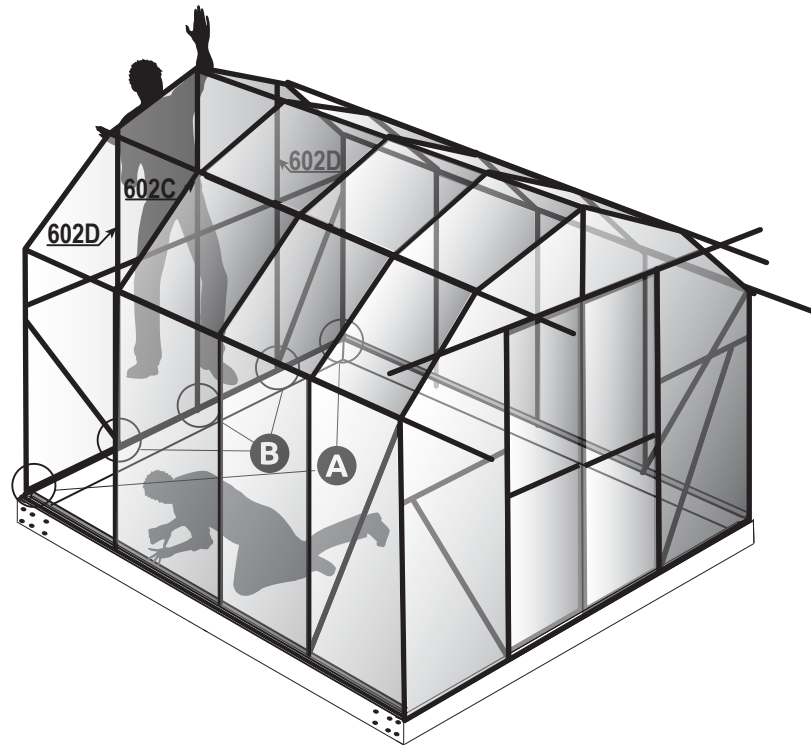
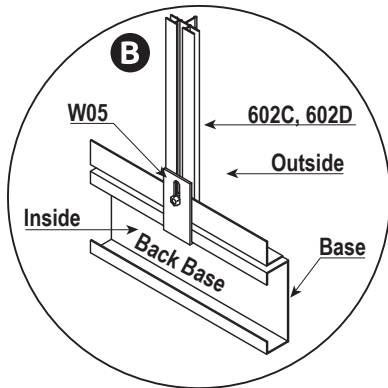
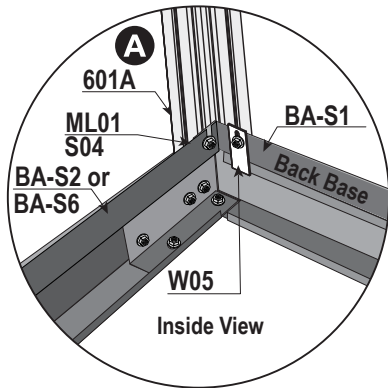


# DETACHING BACK WALL INSTRUCTIONS

YOU WILL NEED AT LEAST 2 PEOPLE TO REMOVE THE BACK WALL FOR SWITCH OUT

**1.8** Detach back wall **601A's** from back base corners by loosening **S04/ML01** on both sides as shown in **A**.

**1.9** Detach the (5) remaining **W05** clips to release the back wall where the **601A's** meet the corner of the base as shown in **A**, and where **602D's**, and the **602C** meet the **BA-S1** see **B**. You will need to replace **S04/ML01's** on the back wall where the **W05** Clips were to keep the back wall together for removal. The back wall should be free from the middle section and base kit, you and other person will want to gently pull apart and lay flat, with the outside facing down on a tarp. Begin disassembling the back wall, keep pieces in their respective places to get ready for the back wall to door transformation assembly. Place all nuts, bolts and hardware into a safe place such as a container with a lid.

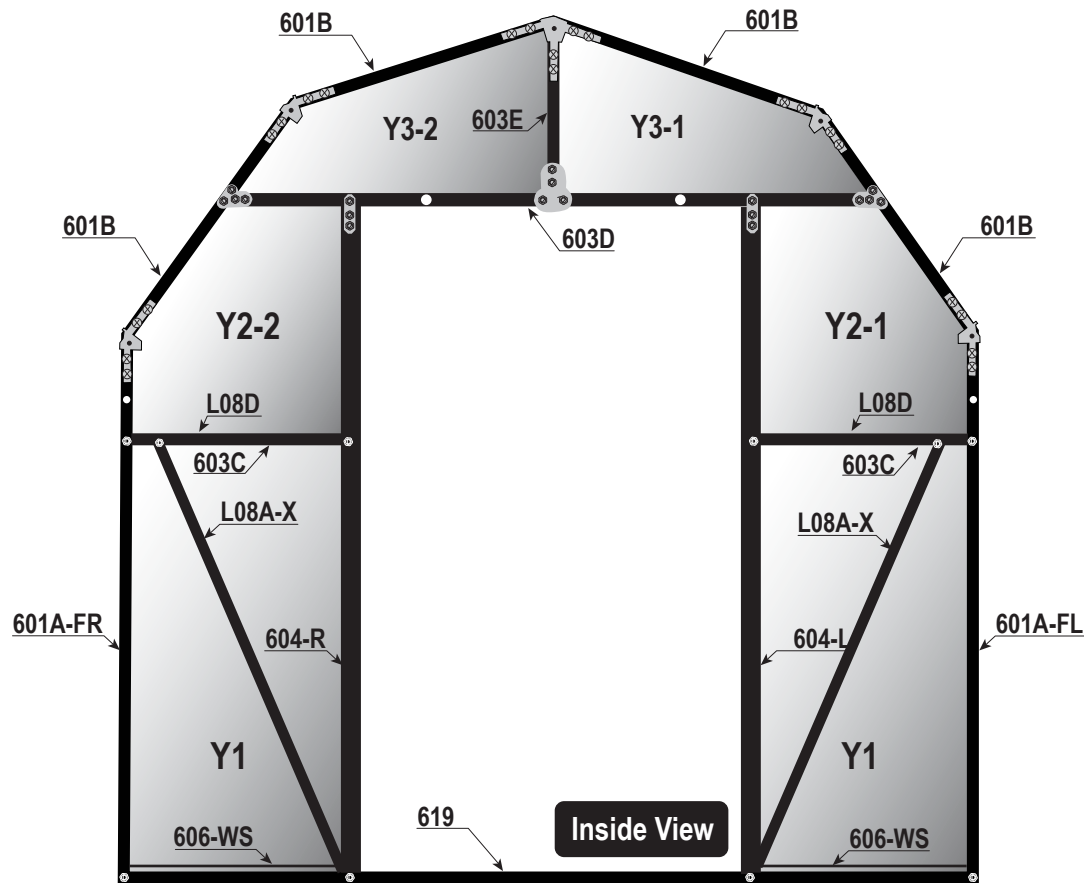


# BACK WALL DOOR ASSEMBLY

ALWAYS ASSEMBLE FRONT AND BACK HORIZONTAL

**This picture shows the inside view of the back wall assembled for accepting a door.**  
 All parts for this section will be found from the disassembled back wall and in the box **GRA-ELI-BD**  
 We recommend that you assemble the new back wall on a tarp.

**STEP TWO**



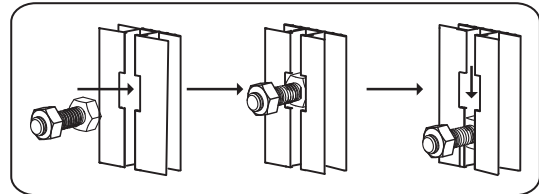
We recommend watching our how to assembly videos with tricks and tips for easier assembly and installation of your Grandio Greenhouse at: [www.grandiogreenhouses.com](http://www.grandiogreenhouses.com)



Lay flat on ground to assemble the front and back frames of your greenhouse. Panels can burn grass and plants if in direct light. Try to assemble on a calm day in the shade.



**BOLT INSTALLATION TIP:** Locate all nuts and bolts, pre thread and place in the groove of the extrusion to make installation easier. Move up or down for exact placement.



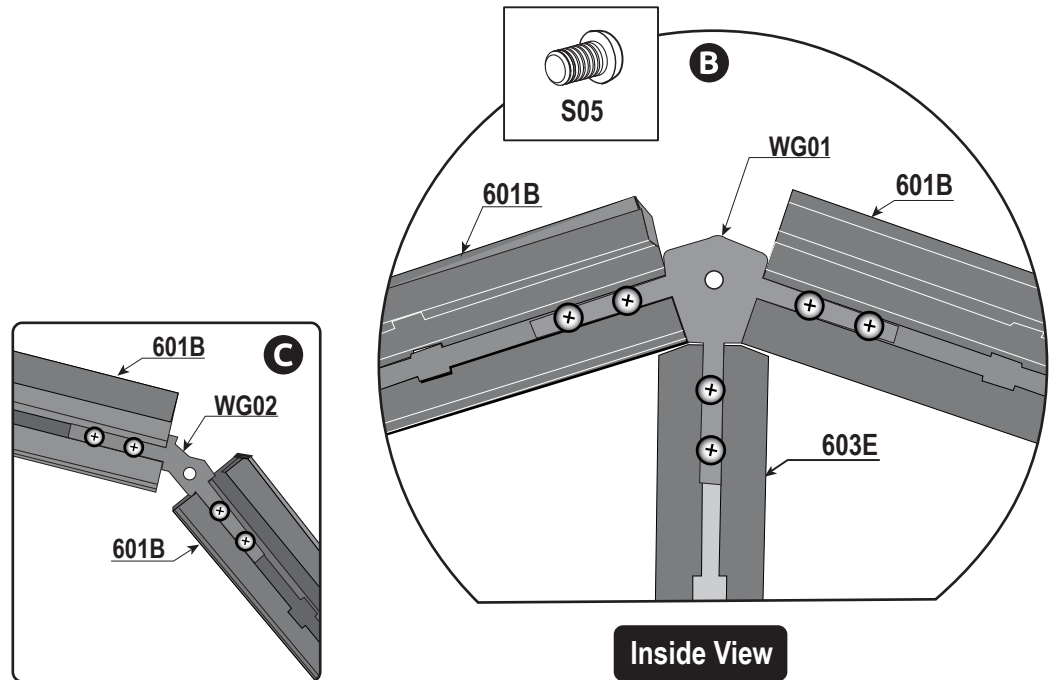
# BACK WALL ASSEMBLY

ALWAYS ASSEMBLE FRONT AND BACK HORIZONTAL

**2.1** Pre thread all **S05** screws into the **WG01** and **WG02's** for ease of installation, see **A** only turn **S05** a few turns.

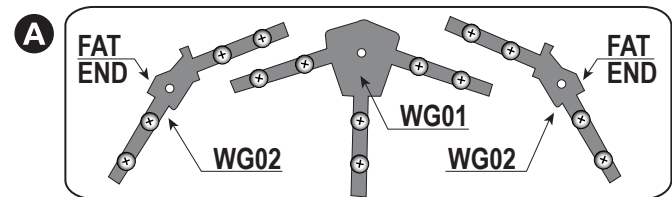
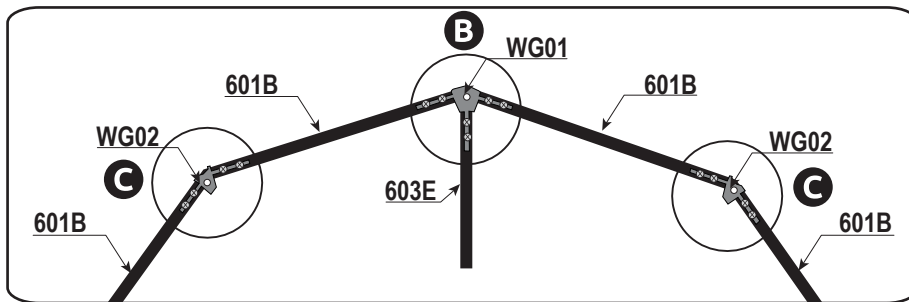
**2.2** Use **WG01** bracket to attach the (2) **601B's** together with the **603E**, secure parts with the **S05** screws provided see **B**. The **WG01** will slide into the groove of the **601B's**, and also slide into the groove of the **603E**, screw head will remain outside channel.

**2.3** Install **WG02's** into (2) **601B's** then tighten **S05** screws when extrusions are completely tight see **C**. Note: the fat end of the **WG02** will always be on the bottom side see **A**.



**▲ IMPORTANT: Use only S05 Screws, other screws may damage frame. ▲**

**GRANDIO TIP** **PRETHREAD SCREWS TIP:** Locate all **WG01**, **WG02**, and **S05** screws, pre thread these to make installation easier. Note that the fat end on the **WG02** will always face downward.



STEP TWO

# BACK WALL ASSEMBLY

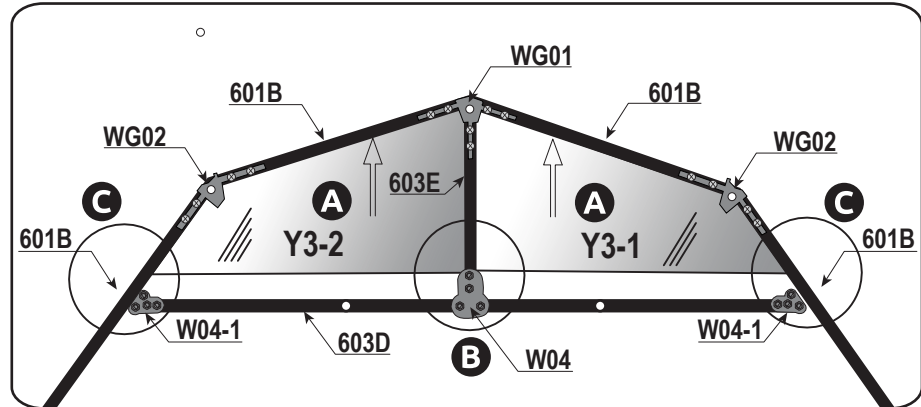
ALWAYS ASSEMBLE FRONT AND BACK HORIZONTAL

\*IF USING THE MOISTURE CONTROL KIT YOU WILL USE IT NOW

**2.4** Insert polycarbonate panels **Y3-2** and **Y3-1** into place as shown in **A**.

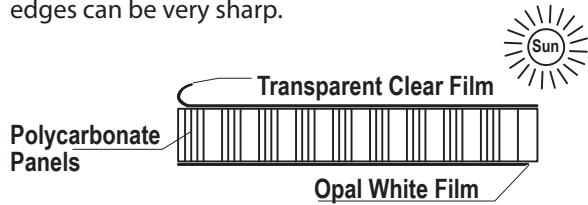
**2.5** Attach **603E** and **603D** with **W04** and **S04/ML01** fasteners as shown in **B**.

**2.6** Attach the **603D** to the **601B**'s using the **W04-1**'s with the **S04/ML01** fasteners on both sides as shown in **C**.

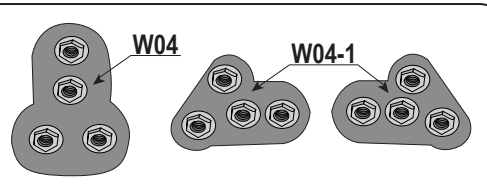
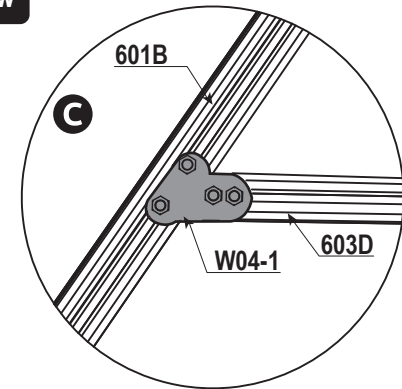
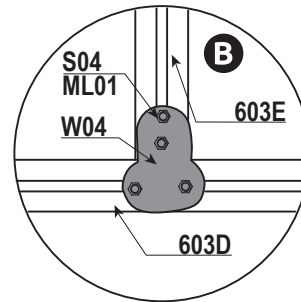


## ⚠ IMPORTANT: POLYCARBONATE PANELS ⚠

The UV-Protected side is covered with clear film and must face toward the sun. The side covered in white film will always face the interior of the greenhouse. We suggest you peel all film off completely prior to assembly and use a permanent marker to place a small "X" on the lower right corner of each panel on the clear side that faces the sun, each panel has a sticker labeling the panel number and this side always faces the sun or outward as well. **DO NOT REMOVE LABELS UNTIL YOU INSTALL PANELS.** The "X" is suggested in case you dis-assemble your greenhouse in the future so you may identify which side has the UV coating. Always use gloves when handling the polycarbonate panels as the edges can be very sharp.



## Inside View



## BOLT INSTALLATION TIP:

Locate **ML01/S04** nuts and screws, loosely pre thread into the **W04** and **W04-1**'s and place in the groove of the extrusion to make installation easier.

# BACK WALL ASSEMBLY

## ALWAYS ASSEMBLE FRONT AND BACK HORIZONTAL

**2.7** View diagrams and attach the (2) **604's** and (2) **601A's** to the **619**. Note the orientation of the **604's**, also there are 4 different **601A's** (2) for the front and (2) for the back with different hole placements. You will need to drill the holes for the back section to match the front holes. See diagram on this page. The **601A-FR** and the **601A-FL** will have a hole at the top side and will face to the ground during assembly or back of greenhouse, please drill 1/4" holes for your **601A-B's** to match the **601A-FL** and **601A-FR** this will transform your back wall for hanging the doors.

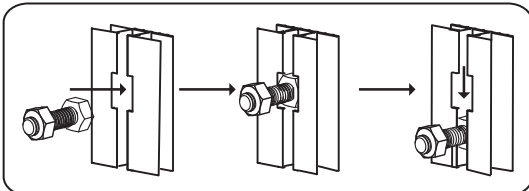
**A** shows where the corner pieces attach to **619**.

**B** shows where the door frame attaches to the **619**.



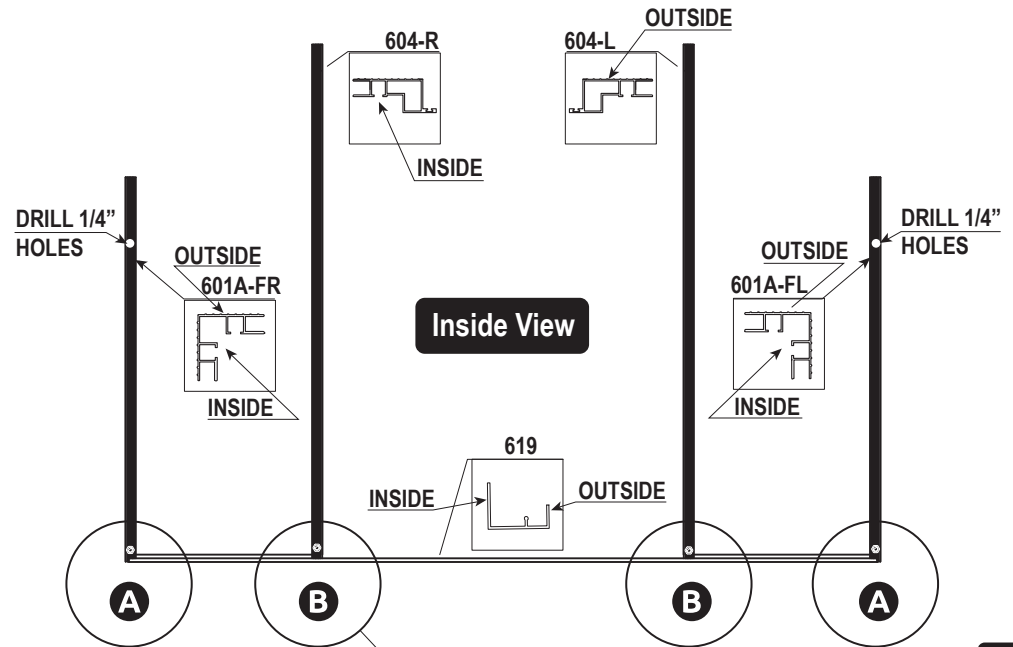
### BOLT INSTALLATION TIP:

Locate all nuts and bolts, pre thread and place in the groove of the extrusion to make installation easier. Move up or down for exact placement.

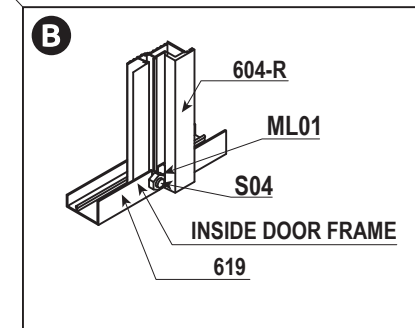
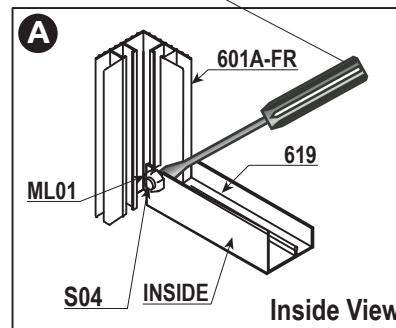


### Make sure the hole on the **601A-FL** and **601A-FR**

face to the back of greenhouse for future install of the **L21** and **L28** bracket that holds the door header in place.



**TIP:** If necessary you may use a screwdriver to wedge behind the bolt head. This prevents bolt from falling into the track.



**STEP TWO**

# BACK WALL DOOR ASSEMBLY

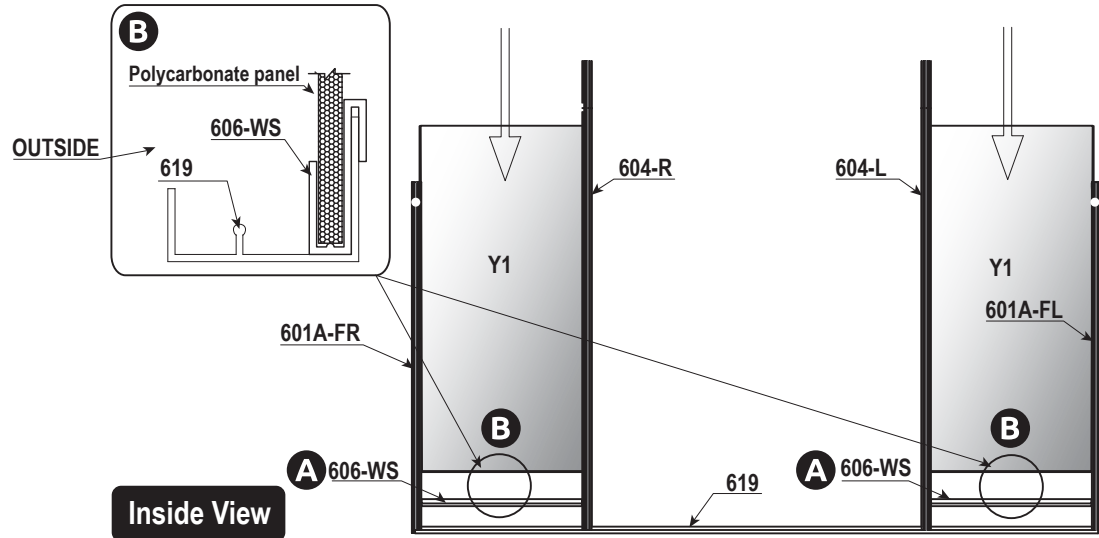
ALWAYS ASSEMBLE FRONT AND BACK HORIZONTAL

**2.8** Attach **606-WS** to **619**, this will hold the polycarbonate panels in place. If it seems too tight slide fingers or nut driver along edges, gently stretching the **606-WS** to allow room for panels to fit **A**.

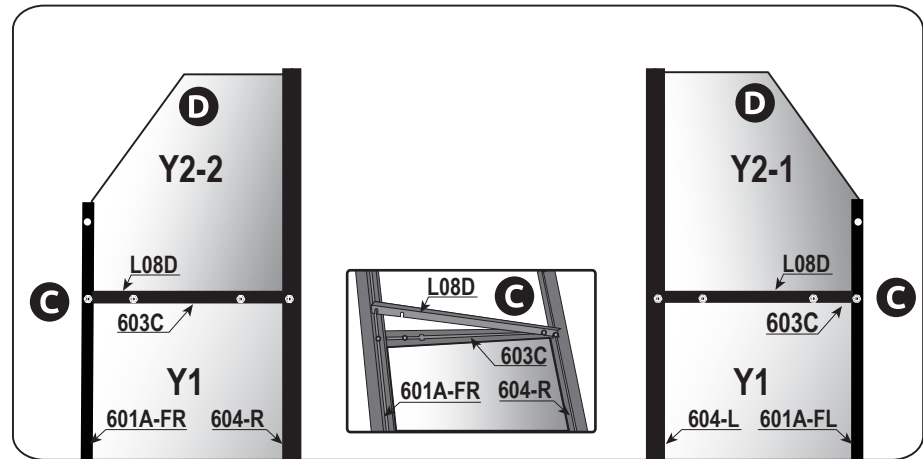
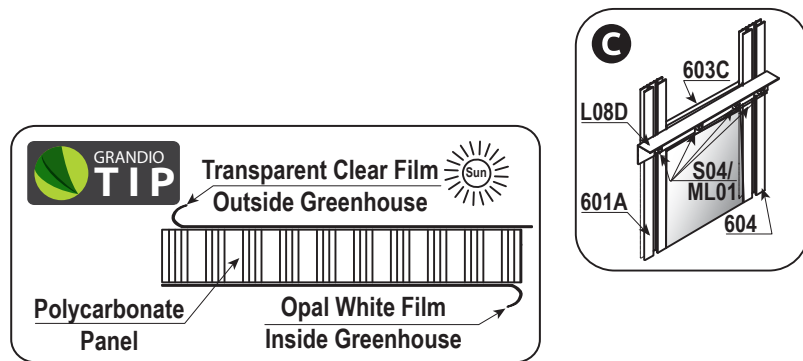
**2.9** Insert **Y1** polycarbonate panels into place, make sure **Y1**'s slide completely into **606-WS** as shown in **B**.

**2.10** Set (2) **603C**'s atop the **Y1** panels, then attach (2) **L08D**'s to the **603C**'s, **601A**'s and **604**'s using **S04/ML01** fasteners, make sure it is snug with the tops of the **Y1** panels, then tighten fasteners. See **C**.

**2.11** Insert the **Y2-2** and **Y2-1** polycarbonate panels as shown in **D**.



STEP TWO

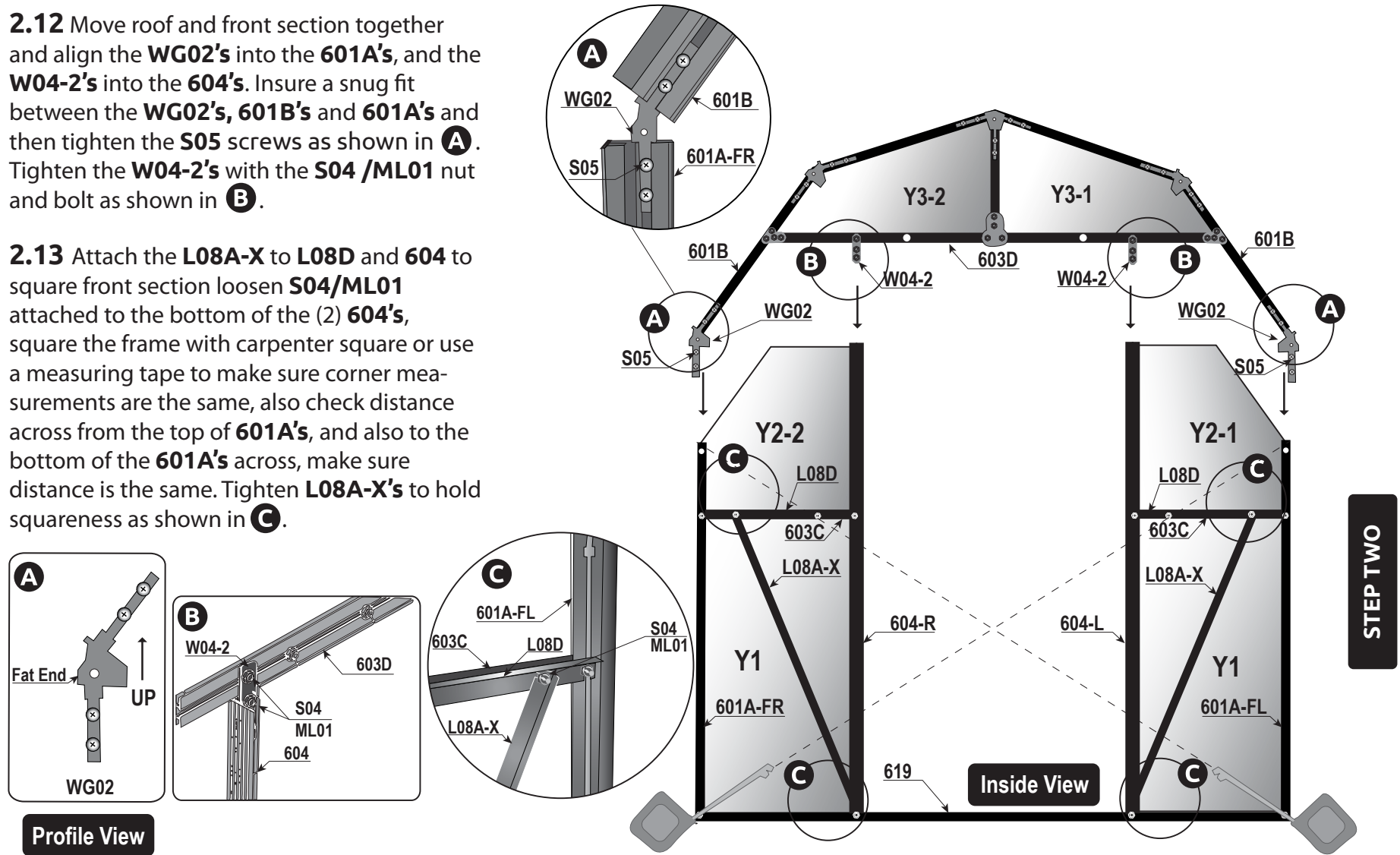


# BACK WALL DOOR ASSEMBLY

ALWAYS ASSEMBLE FRONT AND BACK HORIZONTAL

**2.12** Move roof and front section together and align the **WG02's** into the **601A's**, and the **W04-2's** into the **604's**. Insure a snug fit between the **WG02's**, **601B's** and **601A's** and then tighten the **S05** screws as shown in **A**. Tighten the **W04-2's** with the **S04 /ML01** nut and bolt as shown in **B**.

**2.13** Attach the **L08A-X** to **L08D** and **604** to square front section loosen **S04/ML01** attached to the bottom of the (2) **604's**, square the frame with carpenter square or use a measuring tape to make sure corner measurements are the same, also check distance across from the top of **601A's**, and also to the bottom of the **601A's** across, make sure distance is the same. Tighten **L08A-X's** to hold squareness as shown in **C**.



# RE-ATTACH BACK WALL ASSEMBLY

YOU WILL NEED AT LEAST 2 PEOPLE TO INSTALL THE BACK DOOR WALL



**Warning:** Proceed only if you are replacing a back wall on an existing greenhouse.



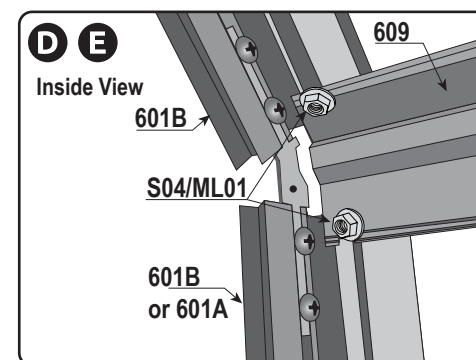
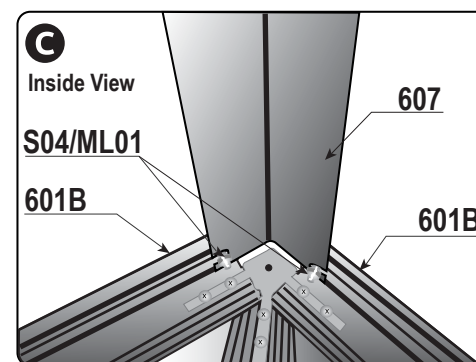
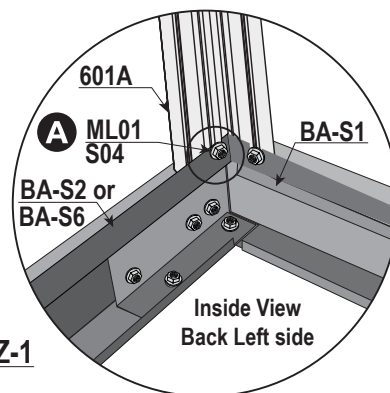
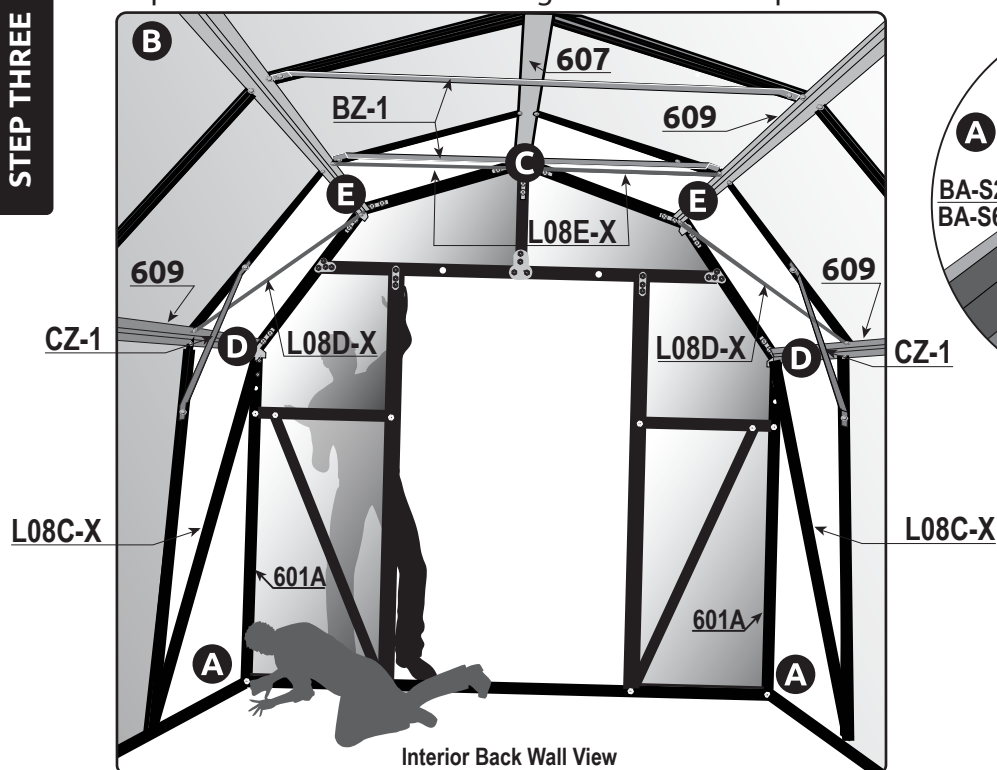
**3.1** With no less than **2 people** place the pre assembled back section on top of the base kit back. Have person **(1)** hold the back vertically while the other attaches the back section **601A's** to the base using **S04/ML01** fasteners as shown in **(A)**. Person **(1)** must continue to hold up the back wall!

**3.2** See diagram **(B)** for overview of back wall. Use the **S04/ML01** screws to attach the **607** (Roof Ridge) to the back wall see **(C)**. Use the **S04/ML01** to attach the (4) **609's** (Mid Roof and Eave Supports) to the back wall as shown in **(D)** and **(E)**.

**3.3** Attach **L08E-X** and **L08D-X** to the back roof wall as shown in **(B)**.

One person must continue holding the back wall in place.

STEP THREE



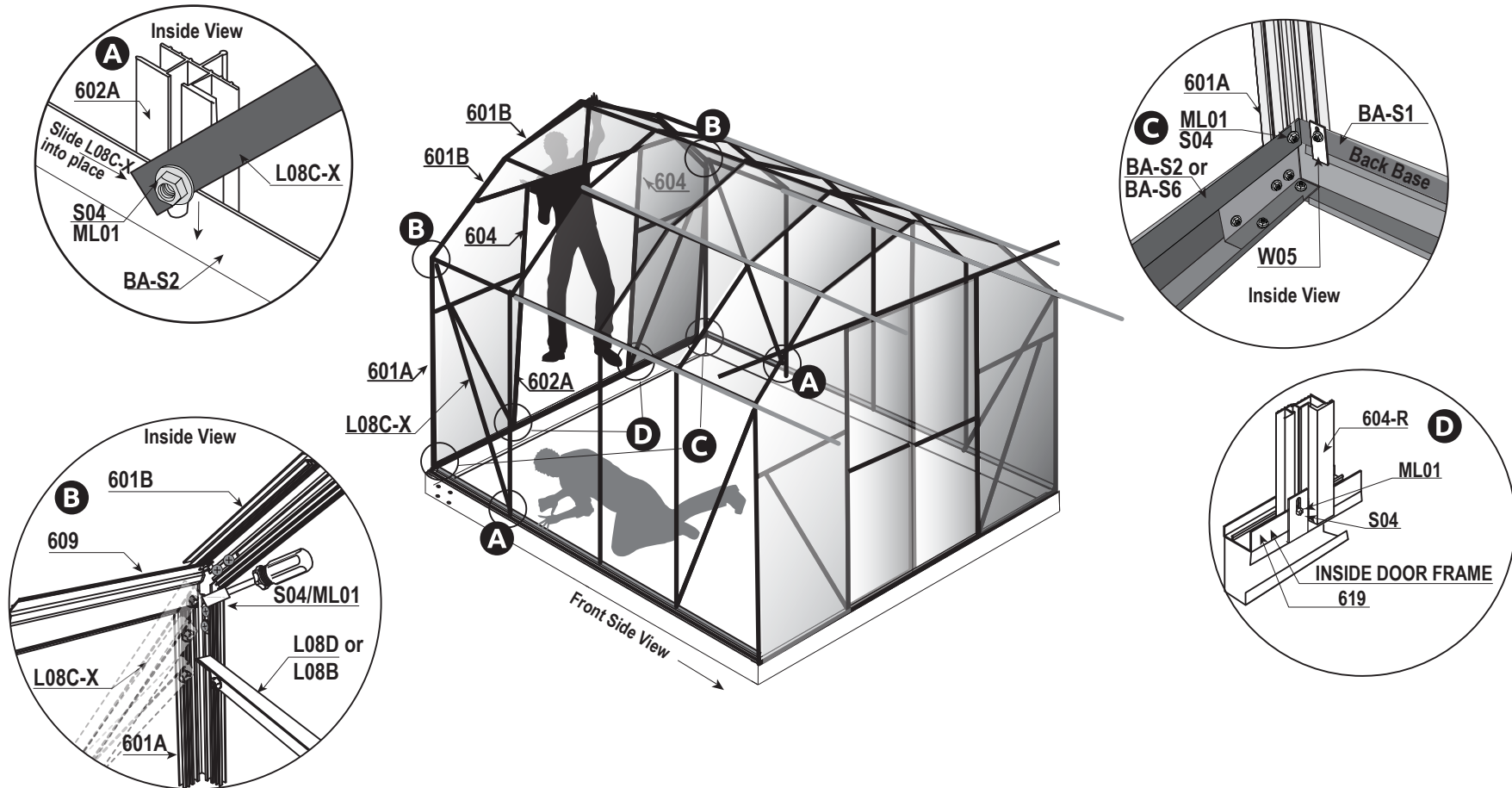


# RE-ATTACH BACK WALL ASSEMBLY

YOU WILL NEED AT LEAST 2 PEOPLE TO INSTALL THE BACK DOOR WALL

**3.4** You may need to re-attach the bottom of **L08C-X** to **602A** and base kit with **S04/ML01**, as shown in **(A)**. Attach the **L08C-X** to the **601A** and **609** as shown in **(B)**, make sure the **S04/ML01** combos are tight.

**3.5** Use (2) **W05** clips to attach the back wall where the **604's** meet the base as shown in **(D)**. Then use (2) **W05 Clip** combos to attach the corner **601A's** to the base kit as shown in **(C)**, you will have to switch out the nut and bolt combos that were originally used over to the **W05 Clips** for **(C)** and **(D)**.



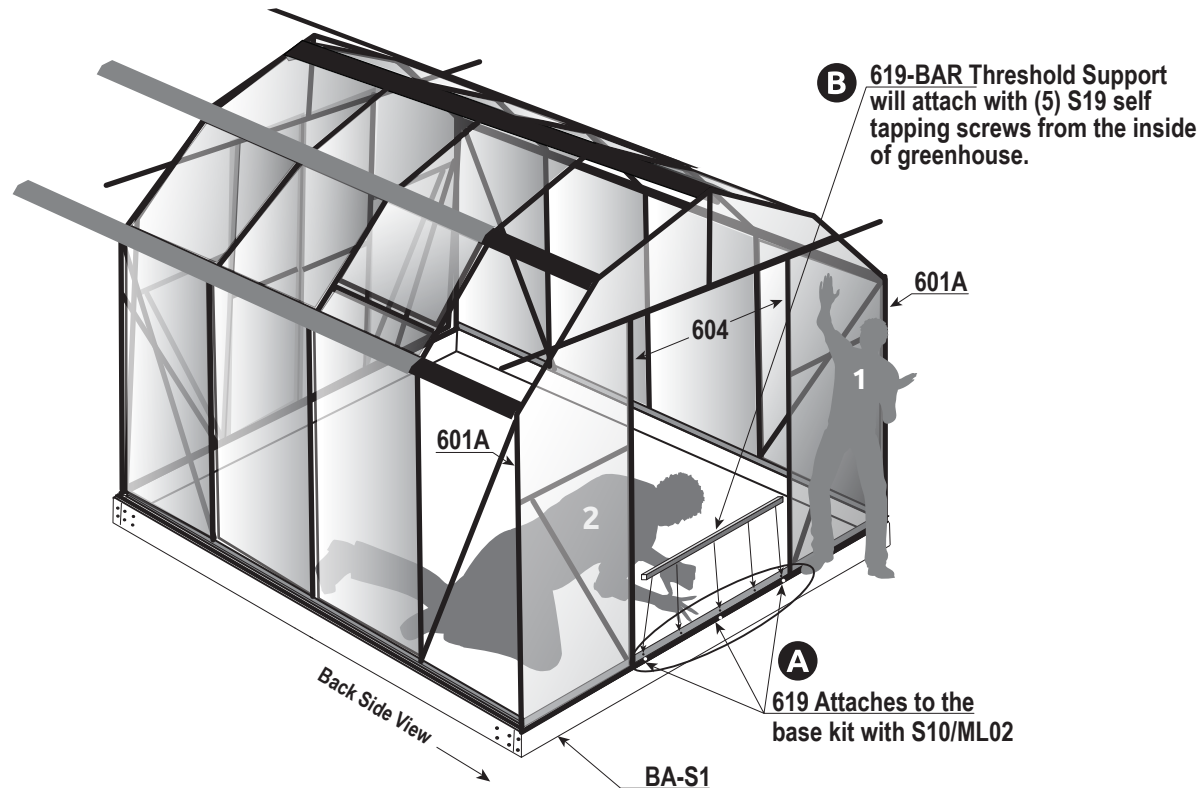
STEP THREE

# RE-ATTACH BACK WALL ASSEMBLY

YOU WILL NEED AT LEAST 2 PEOPLE TO INSTALL THE BACK DOOR WALL

**3.6** Attach the back door section **619** to the base using (3) **S10/ML02** fasteners as shown in **A**, then attach the **619-BAR** threshold support to the inside of the **619** with (5) **S19** self tapping screws included in the package, see **B**.

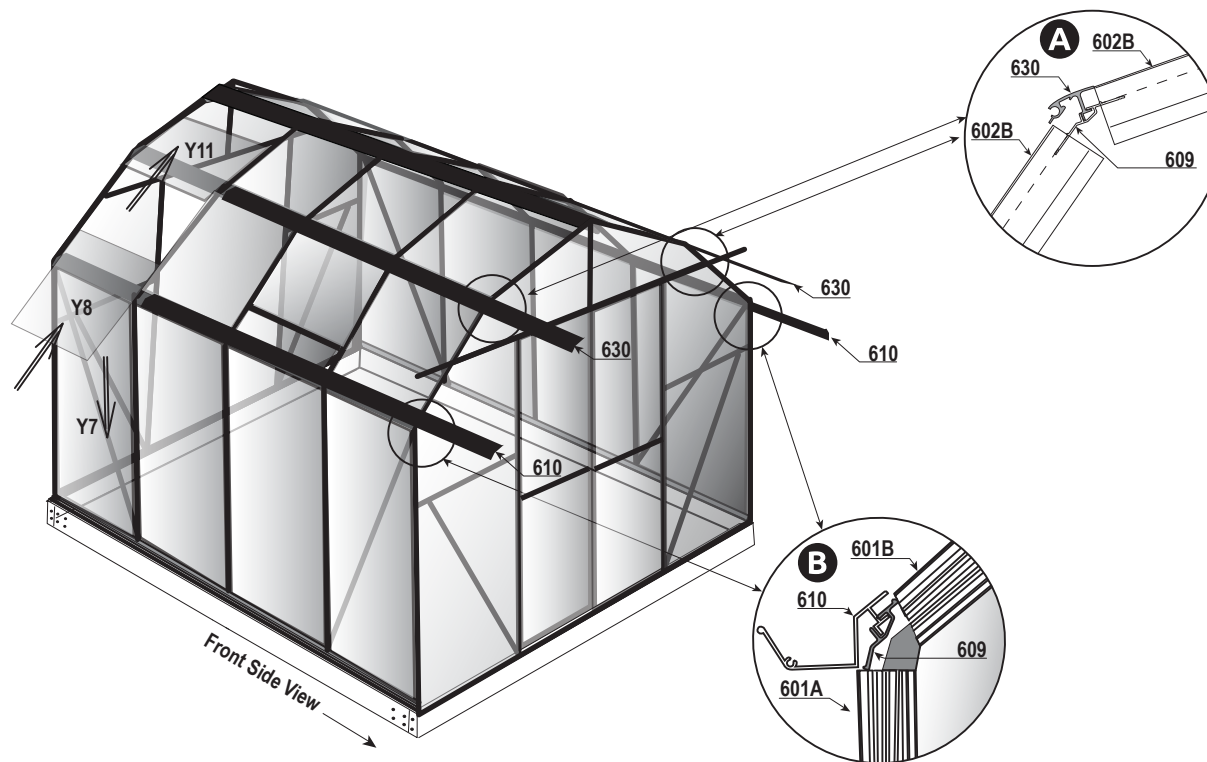
STEP THREE



# BACK WALL PANEL ASSEMBLY

**3.7** Insert **Y11** panels into the upper roof sections of your greenhouse as shown, then slide the **630's** back into place to lock the panels into place see **A**.

**3.8** Slide **Y7** and **Y8** panels into place as shown below, then slide the **610** gutter back into place to lock those panels into place see diagram **B**. Repeat on other side.

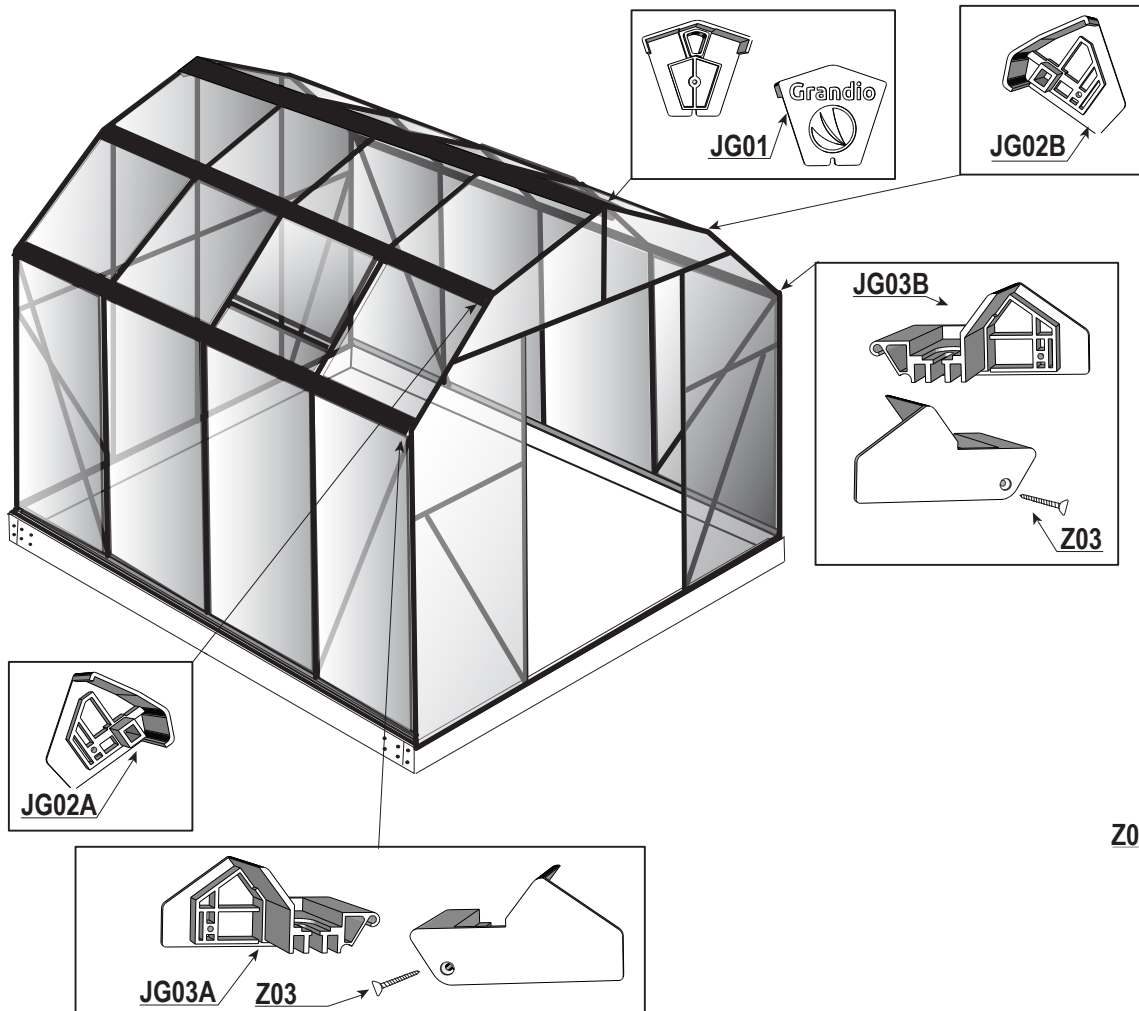


STEP THREE

# MIDDLE ASSEMBLY INSTRUCTIONS CONTINUED

**4.25** Attach **JG01**, **JG02A**, **JG02B**, **JG03A** and **JG03B** end caps to the ridge, midroof and gutters on both front and back as shown below. Use **Z03** screws to attach the **JG03A** and **JG03B** endcaps along with the silicone adhesive. Use **Z06** screws to fasten end caps through the **WG01** and **WG02** as shown in images. Note you may want to seal into place with silicone caulk on the inner side and around the edges.

STEP THREE



Exterior view of mid roof cap JG01.



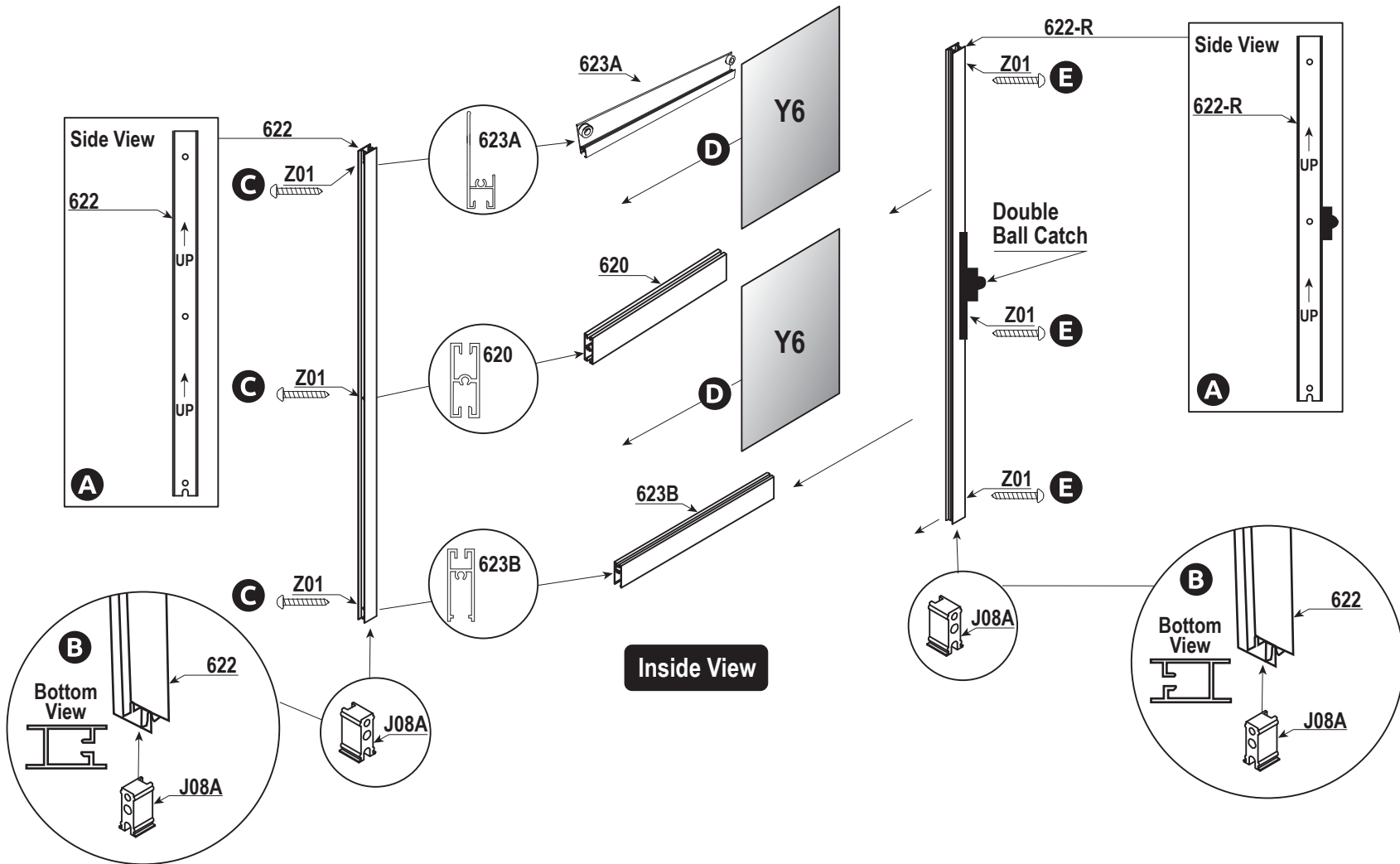
Interior greenhouse view of mid roof cap, where Z06 screw goes through WG01 mid hole into the end cap.



Z06

# DOOR ASSEMBLY DIAGRAM

This image shows the inside view of Right Door Assembly.  
 All parts for door assembly will be found in box GRA-ELI-BD.  
 Use the #2 head Phillips Screw Driver for installation.



**STEP FOUR**

# DOOR ASSEMBLY

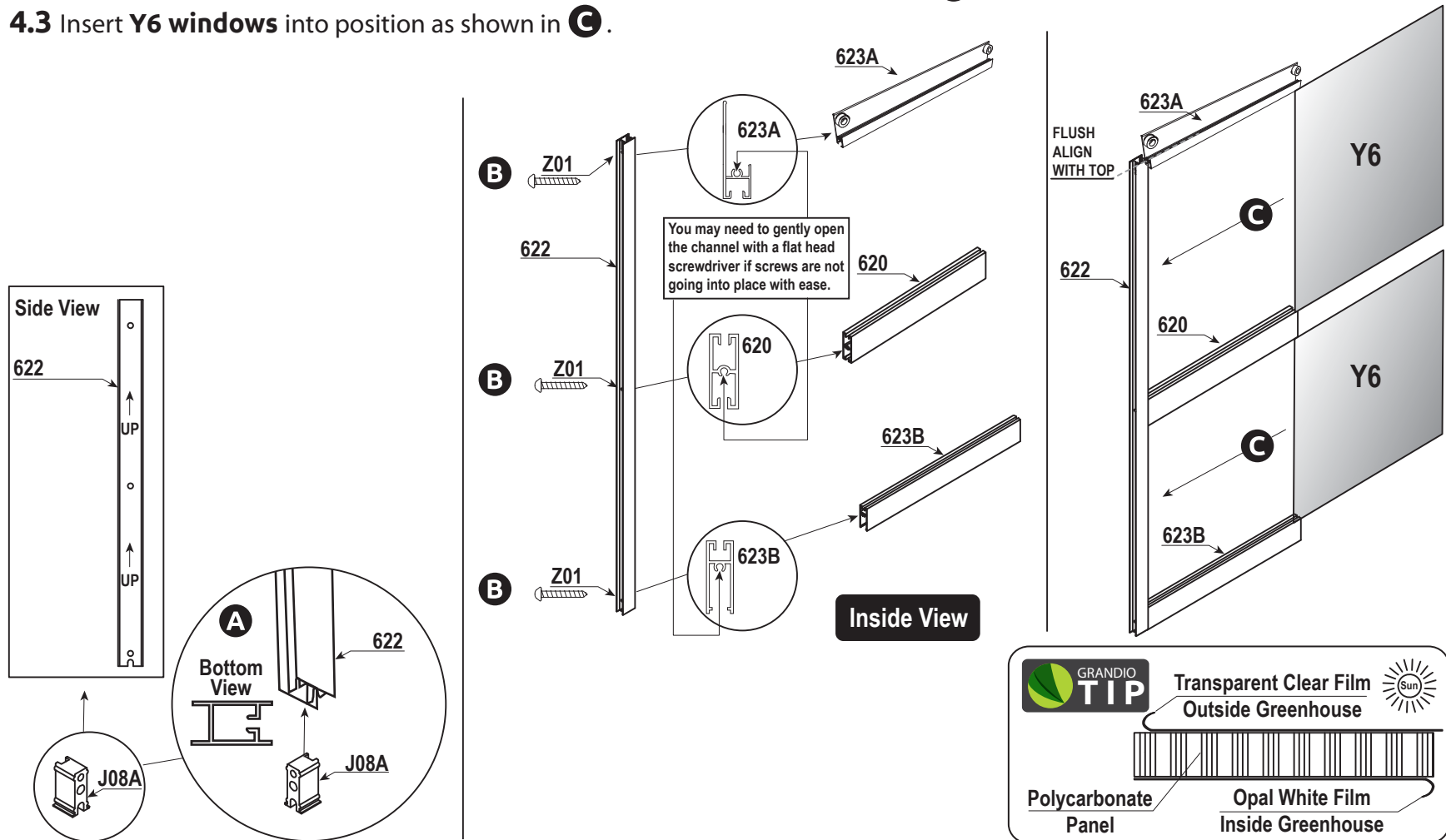
We recommend you lay out all parts for both doors to make sure they match up correctly for hanging. Double check the orientation of what is inside versus outside and how the doors will hang on page 23-25. Make sure window panels face the right direction to the sun and note that the panels have pre drilled holes for the handles to attach later and these need to be aligned with the lock mechanisms, you may have to drill these out if they are not visible. This will save you from assembling the wrong way. Be careful not to strip the phillips heads when assembling.

**4.1** Insert **J08A** into the bottom of the **622**, note the bottom groove is smaller than the top groove of **622**, see **(A)**.

**4.2** Use the **Z01** screws to attach the **622** to the **623B**, **623A** and **620** as shown in **(B)**.

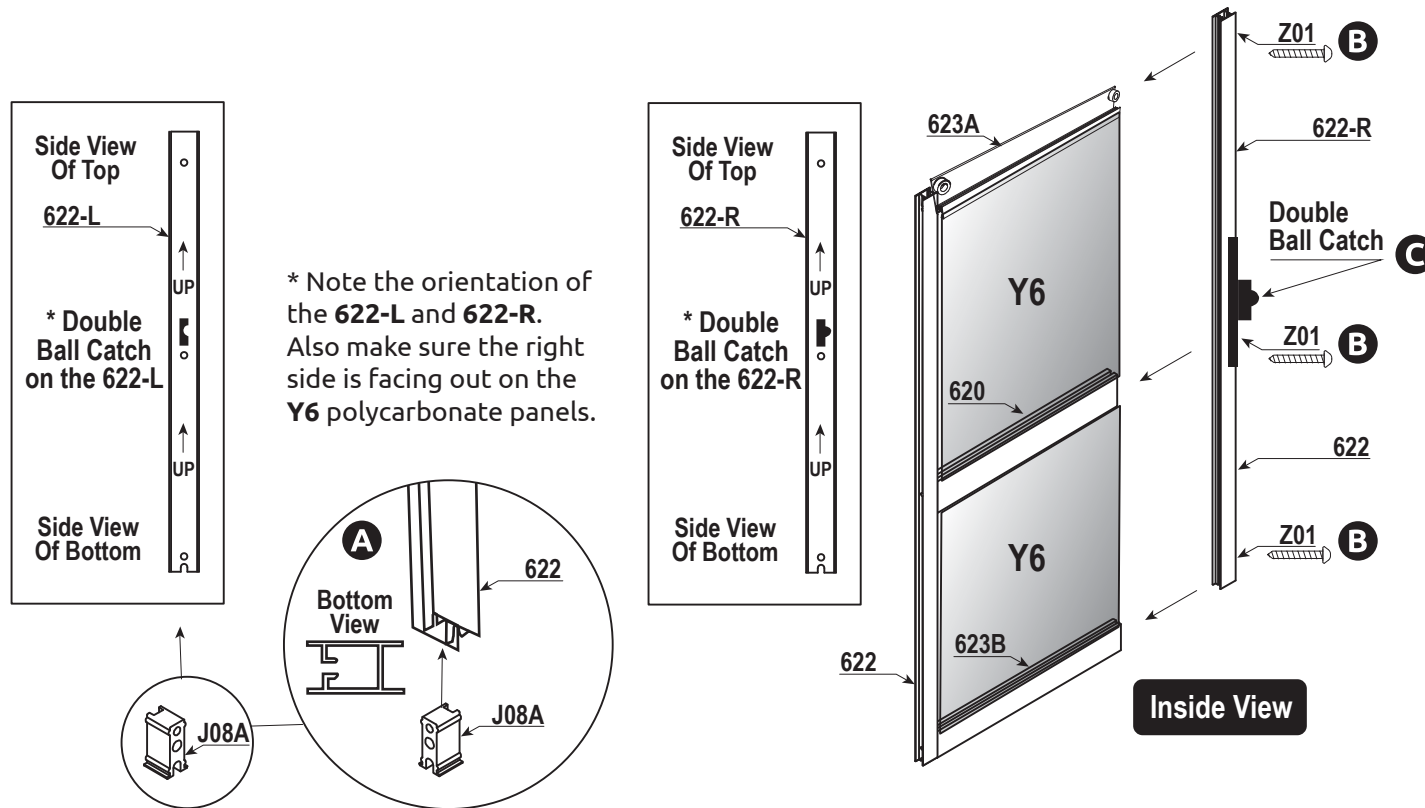
**4.3** Insert **Y6 windows** into position as shown in **(C)**.

STEP FOUR



# DOOR ASSEMBLY

- 4.4** Insert **J08A** into the bottom of the **622-R** and **622-L**, note the bottom has a groove see **A**.
- 4.5** Attach the **622-L** to the **623B**, **623A** and **620** using the **Z01** screws as shown in **B**.
- 4.6** Follow the same instructions for the other door making sure that the **622-L** and **622-R** with the double ball catch match up so doors will latch closed and slide properly **C**.



STEP FOUR

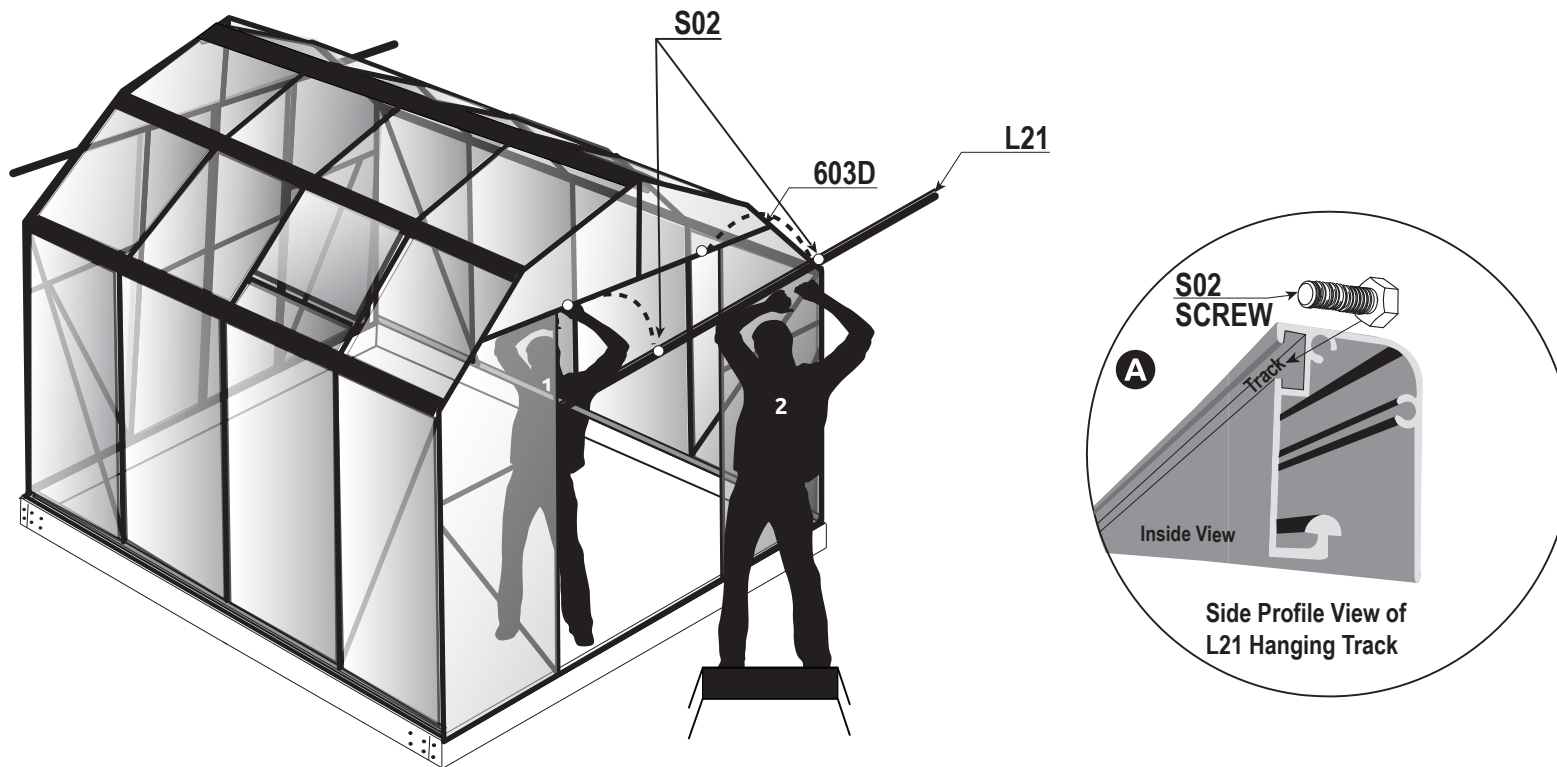
# DOOR ASSEMBLY

**\*ONLY HANG DOORS IF YOU ARE SWITCHING OUT THE BACK WALL**

**\*FIRST TIME BUILDERS WILL FOLLOW THE MANUAL FOR THEIR KIT**

## STEP FOUR

**4.7** Slide the (2) **S02** bolts down the track of the **L21**, see **A**. Align with the holes on the **603D** door header. With one person inside the greenhouse line up hanging door track **L21** with door header **603D**, move bolts on **L21** to line up with bolt holes on door header **603D**. From the inside hand tighten the **ML01** nut while the person outside is holding the **L21** in position, you will now center on the front of the greenhouse and tighten the **S02/ML01** combo.



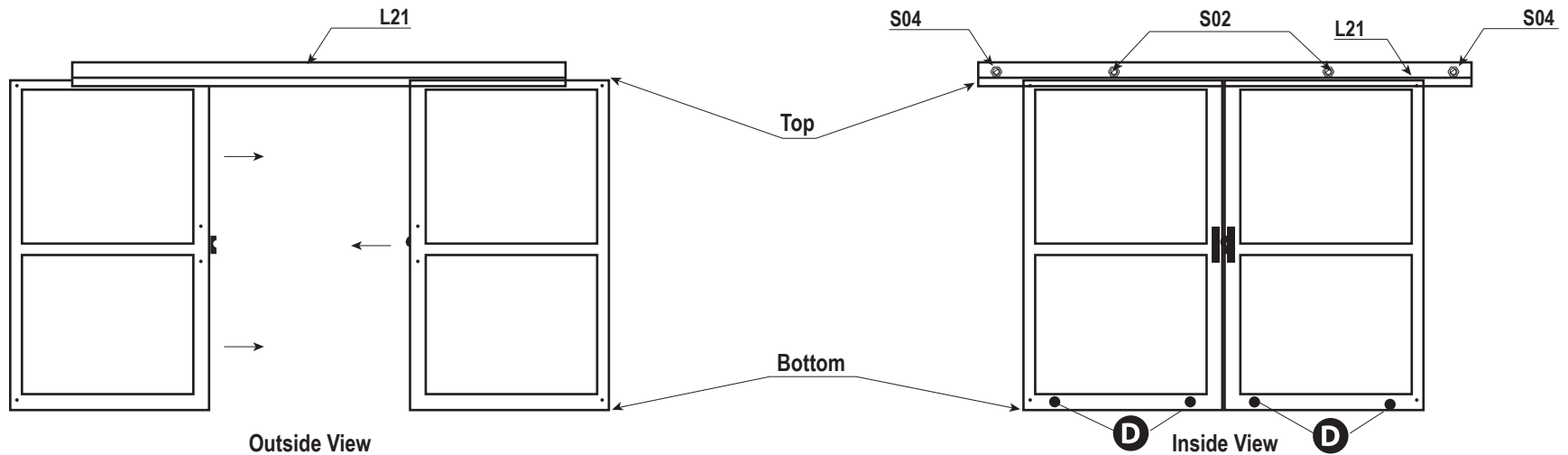


# DOOR INSTALLATION

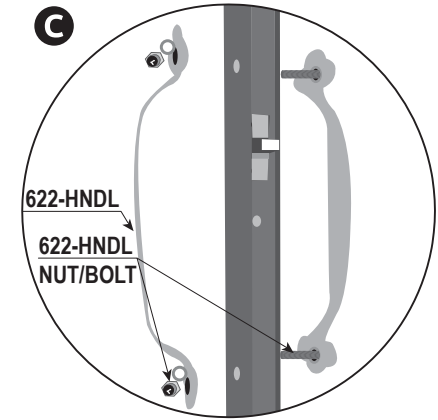
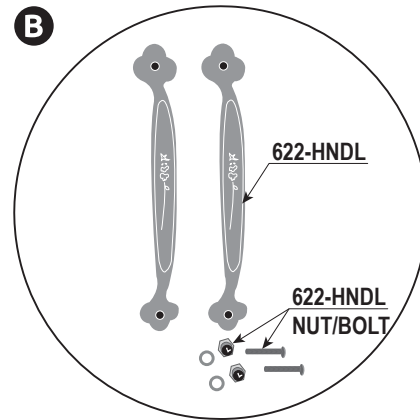
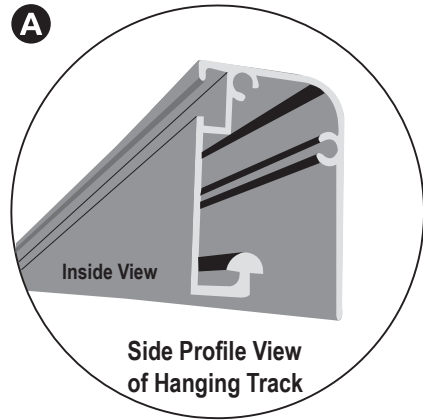
**4.8** Separately slide the top of the doors in the left and right side of **L21**, see diagram **A**, until they latch in the middle.

**4.9** Attach the door handles **622-HNDL** to both doors using the **622-HNDL-NUT/BOLT** provided to both doors as shown below in **B**, and **C**. If holes are not apparent you may need to drill holes into the polycarbonate panels to allow for the handles to attach.

\*\*We included some felt dots in your package, please apply to the inside bottom edge of the **623B** as shown in **D**, these felt dots will make your doors fit snug and slide smoothly.



**STEP FOUR**

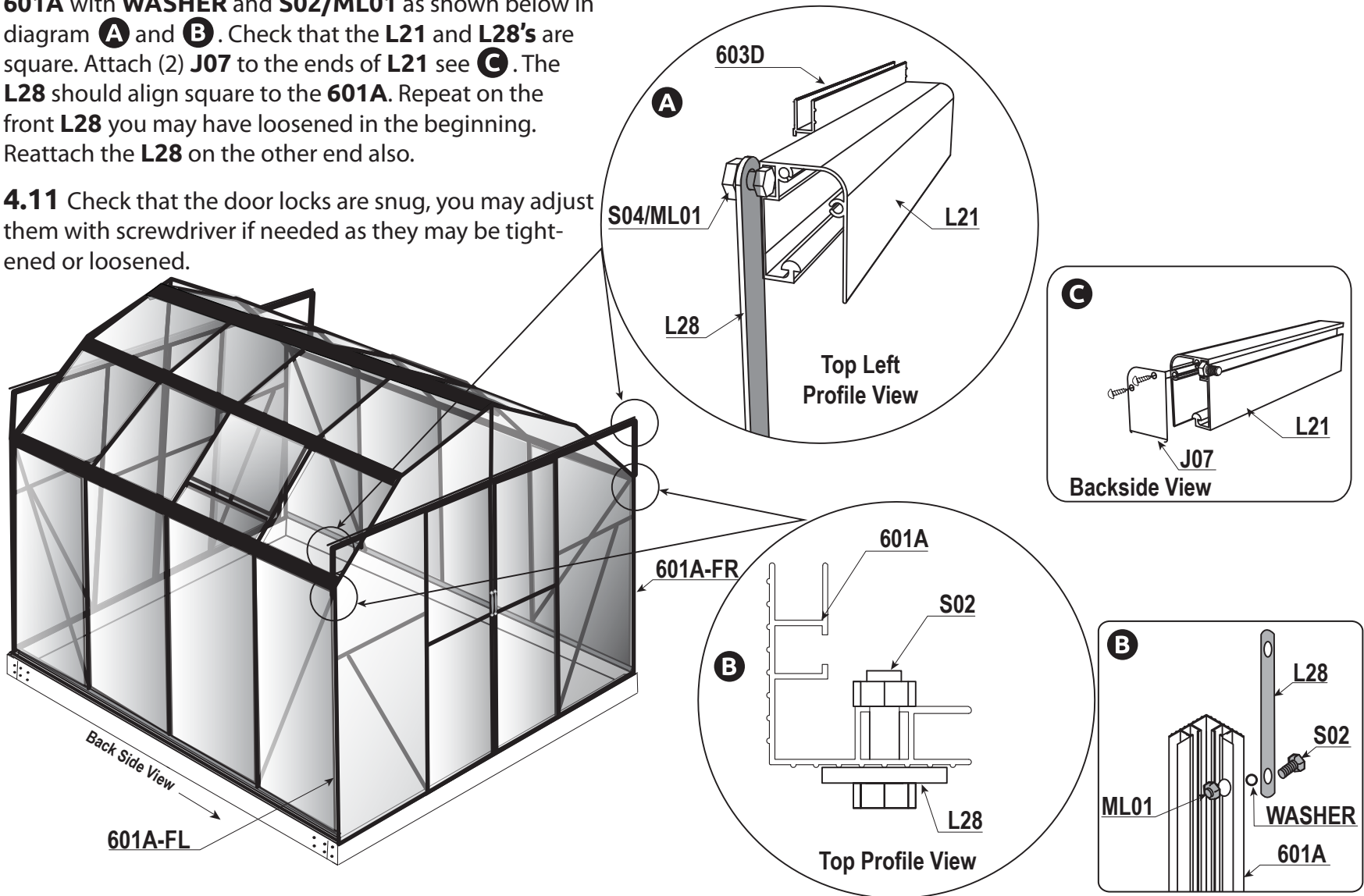


# DOOR INSTALLATION


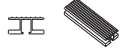


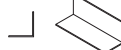
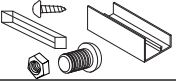



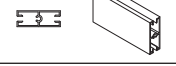
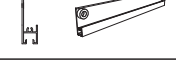

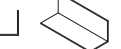


**STEP FOUR**

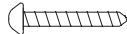


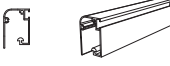


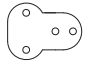

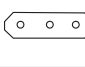






**4.10** Attach **L28** to **L21** with **S04/ML01**, and **L28** to **601A** with **WASHER** and **S02/ML01** as shown below in diagram **A** and **B**. Check that the **L21** and **L28**'s are square. Attach (2) **J07** to the ends of **L21** see **C**. The **L28** should align square to the **601A**. Repeat on the front **L28** you may have loosened in the beginning. Reattach the **L28** on the other end also.

**4.11** Check that the door locks are snug, you may adjust them with screwdriver if needed as they may be tightened or loosened.



## (GRA-ELI-BD) GRANDIO ELITE BACKDOOR PACKING LIST

| GRAPHIC   | PART NAME                         | SIZE/LOCATION  | QUANTITY   |
|---|-----------------------------------|--|--|
|    | 603D                              | 72 3/16 in / 1833 mm<br>BACK WALL                                  | 1  |
|    | 603E                              | 18 1/4 in / 463 mm<br>BACK WALL                                    | 1  |
|    | 604R                              | 70 3/4 in / 1797 mm<br>FRONT RIGHT DOOR                            | 1  |
|    | 604L                              | 70 3/4 in / 1797 mm<br>FRONT LEFT DOOR                             | 1  |
|    | L08D                              | 24 3/16 in / 614 mm  | 2  |
|    | 619<br>619-BAR<br>S19<br>S10/ML02 | 94 1/4 in / 2394 mm<br>44 1/2 in / 1130 mm<br>M4*10<br>M6*16 / NUT | 1 - 619<br>1 - 619 Bar<br>5 - S19 Screws<br>3 - S10/ML02 |
|    | 622                               | 69 11/16 in / 1770 mm  | 2  |
|    | 622R                              | 69 11/16 in / 1770 mm  | 1  |
|    | 622L                              | 69 11/16 in / 1770 mm  | 1  |
|  | 620                               | 21 7/16 in / 545 mm  | 2  |
|  | 623A                              | 21 7/16 in / 545 mm  | 2  |
|  | 623B                              | 21 7/16 in / 545 mm  | 2  |
|  | L08A-X                            | 52 1/4 in / 1327 mm<br>CROSS SUPPORT                               | 2  |
|  | J08A                              | DOOR   | 4  |
|  | 622-DOOR<br>HANDLES               | DOOR HANDLES   | 4  |

| GRAPHIC   | PART NAME | SIZE/LOCATION                      | QUANTITY |
|---|-----------|------------------------------------|----------|
|    | Z01       | M4*30<br>SCREWS FOR DOORS          | 13       |
|    | S04/ML01  | M6*14                              | 35       |
|    | S02/ML01  | M6*25                              | 4        |
|    | L21       | 95 1/2 in / 2425 mm                | 1        |
|    | J07       | L21 ENDCAP                         | 2        |
|    | L28       | 19 9/16 in / 497 mm<br>4mm WASHERS | 2/2      |
|    | W04       | CONNECTOR BRACKET                  | 1        |
|    | W04-1     | FRAME CONNECTOR                    | 2        |
|    | W04-2     | FRAME CONNECTOR                    | 2        |
|  | Y3-1      | UPPER ROOF PANEL                   | 1        |
|  | Y3-2      | UPPER ROOF PANEL                   | 1        |
|  | Y2-1      | BACK WALL SIDE                     | 1        |
|  | Y2-2      | BACK WALL SIDE                     | 1        |
|  | Y6        | DOOR PANELS                        | 4        |
|  | 1/4 DB    | 1/4" DRILL BIT                     | 1        |

STEP FIVE

# Grandio Greenhouse Limited Lifetime Warranty

- 1.** Grandio Greenhouses are warranted to the original purchaser to be free from defects in material or workmanship for ten years from the date of original retail purchase on all plastic panels. Additionally the aluminium frame is warranted for life. The word “defects” is defined as imperfections that impair the use of the product.
- 2.** Defects resulting from misuse, abuse or negligence will void this warranty. This warranty does not cover defects due to improper installation, alteration or accident. This warranty does not cover damage caused by vandalism, rusting, “acts of nature” or any other event beyond the control of the manufacturer.
- 3.** This warranty is nontransferable and is expressly limited to the repair or replacement of defective product if the product is defective within the terms of this warranty, Grandio Greenhouses will repair or replace defective parts at no cost to the purchaser. Shipping charges to and from the factory or distribution center are not covered and are the responsibility of the purchaser. Labor charges and related expenses for removal, installation or replacement of the greenhouse or its components are not covered under this warranty.
- 4.** This warranty does not cover scratching or scuffing of the product that may result from normal usage. In addition, defects resulting from intentional damage, negligence, unreasonable use will void this warranty.
- 5.** Liability for incidental or consequential damages is excluded to the extent permitted by law. While every attempt is made to embody the highest degree of safety in all equipment, freedom from injury cannot be guaranteed. The user assumes all risk of injury resulting from the use of this product. All merchandise is sold on this condition, and no representative of the company may waive or change this policy.
- 6.** This product is not intended for institutional or commercial use; Grandio Greenhouses does not assume any liability for such use.
- 7.** This warranty is expressly in lieu of all other warranties, expressed or implied, including warranties of merchantability for use to extent permitted by Federal and State Law. Neither Grandio Greenhouses nor any representative assumes any other liability in connection with this product. This warranty gives you specific legal rights, and you may also have other rights that vary from state to state.





**GRANDIO<sup>®</sup>**

G R E E N H O U S E S

**Model Grandio Elite Back Door Kit**

**GREENHOUSE USER MANUAL  
KEEP IN A SAFE PLACE FOR REFERENCE**

CONTACT US IF YOU NEED HELP  
OR  
HAVE MISSING OR DAMAGED PARTS

**GRANDIOGREENHOUSES.COM**

**BACKYARD LIVING SOURCE, INC.  
9543 W. EMERALD ST., SUITE 101  
BOISE, ID 83704**

**1-866-448-8231**